

Installation Instructions for the Strapless Half Mask with Microphone:

Remove the normal mouthpiece from your primary regulator and replace it with the DIVELINK mouth mask. Secure it with a zap strap. You may opt to attach the DIVELINK mouth mask to your secondary regulator. When first getting used to the mouth mask, try a few flood and clear exercises. As with any new SCUBA equipment, DIVELINK will take a few dives to get used to. Clarity of speech will improve with practise.

For clear voice communication underwater, an air cavity is necessary. The DIVELINK mouth mask uses a unique, patented retainer, designed to allow unobstructed, comfortable speech without the use of a head strap.

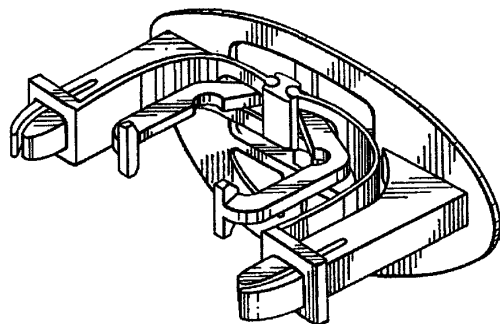


Before attaching the mouth mask to your regulator, do the following exercise:

To Use: Place the retainer behind your front teeth. Pull the mouth mask gently away from your face and close your lips. Let the mouth mask come back to your face. (Your lips should be inside the mouth mask opening.) Relax your jaw and count to ten, aloud, letting your teeth separate slightly as you speak. Continue to practise speaking until you feel comfortable, and are being understood using the mouth mask, before diving.

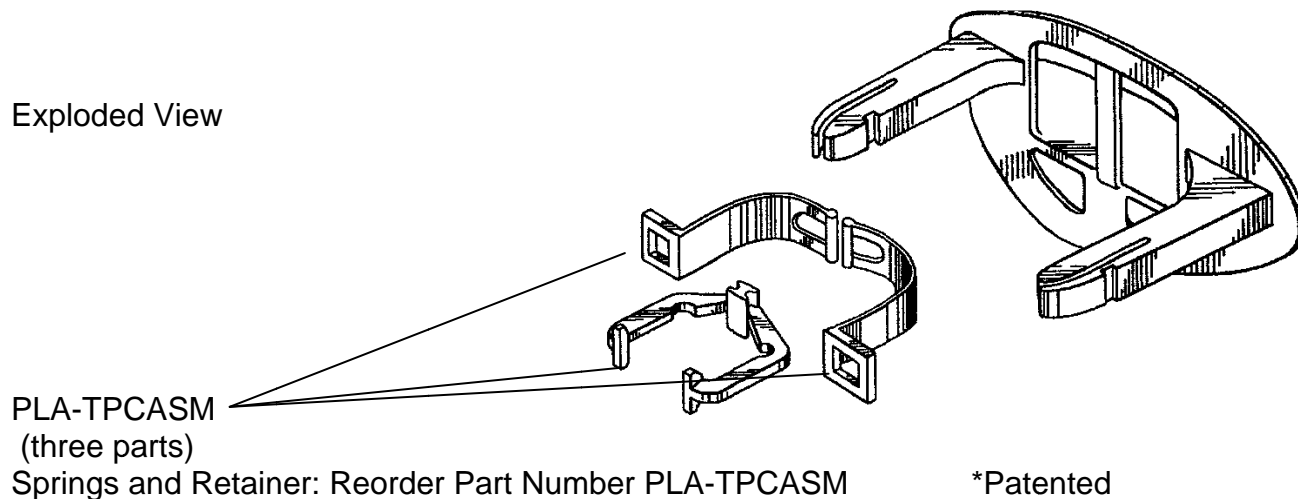
The retainer will suit an average bite. A few people have an unusually narrow bite pattern. To accommodate this case, the retainer may be placed in boiling water and reformed inward slightly by bending the “U” shape together. Some people may have unusually short teeth. In this case, the tabs may be filed down to prevent them from pressing into gums at the base of teeth. The tabs may be replaced by ordering part number PLA-TPCASM.

DIVELINK Mouth Mask Model MPC-UC01
Internal Mechanism of Mouth Mask:



Baffle Plate, Spring and Retainer*

Exploded View



PLA-TPCASM
(three parts)

Springs and Retainer: Reorder Part Number PLA-TPCASM

*Patented

Microphone Connector Operation and Maintenance

The microphone may be unplugged from the DIVELINK headpiece by means of the underwater connector. This allows the microphone and cord to remain attached to your regulator and low pressure hose. The microphone may be disconnected underwater for extended periods of time. To disconnect, **PULL STRAIGHT APART**.

Do NOT bend the connector during this process.



It is important to apply silicone grease to each side of the connector regularly to prevent wear, corrosion and salt buildup. Use DOW-CORNING DC-4 or equivalent.

The socket of the connector may be cleaned with a Q-tip and rubbing alcohol.

The underwater connector allows you to switch to an alternate regulator and still maintain communications during your dive, or to swap quickly with other gear equipped with DIVELINK mouth mask MPC-UC01 such as a secondary regulator.